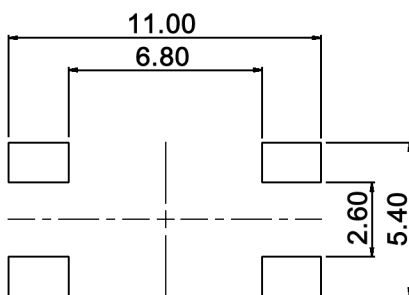
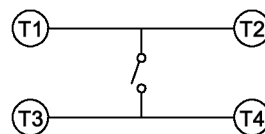


P.C.B. LAYOUT



CIRCUIT DIAGRAM



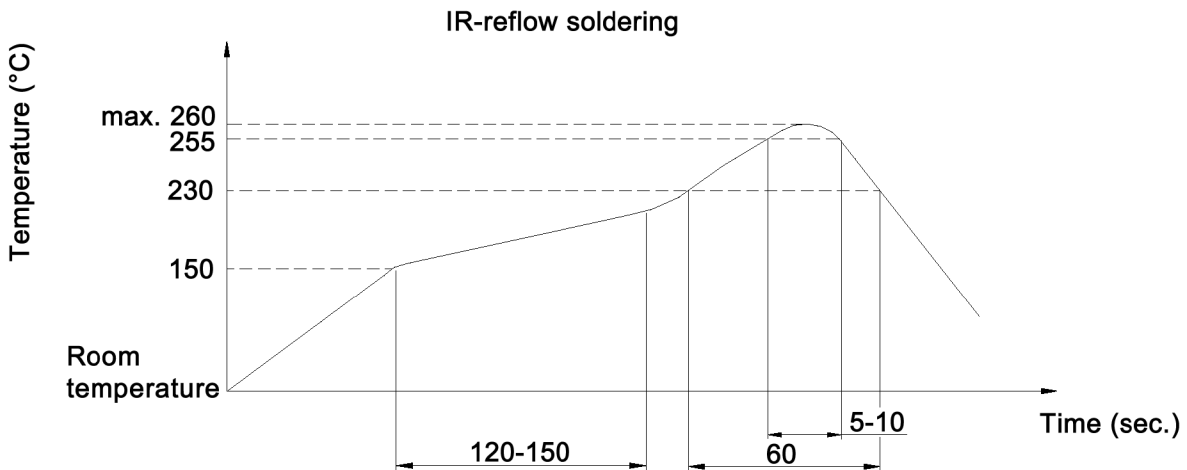
Compliance: RohS II (2011/65/EU)

Tolerances: max. ±0.20mm		Date	Name	<h1>TSSE 67 x</h1>	
		1999	mm		
Contact rating	03/15	dr			
Packaging	07/14	dr			
Revised	03/13	dr	<h2>30 01 41</h2>	Page	
Specifications	01/09	dr		<h3>knitter-switch</h3>	1/3
Travel	01/05	dr			
Modifications	Date	Name			

Specifications:

Contact rating: 50mA, 32V DC; max. 1VA
Contact resistance: 100mOhm max.
Insulation resistance: 100MOhm min. at 500V DC
Dielectric strength: 250V, 50Hz for the duration of 1 minute
Operating temperature: -40°C to +85°C
Mounting: on pc-board - SMD
Packaging unit: 900 pcs. / reel
Switching function: off - mom
Sealing: IP 67
Material: Contacts: phosphor bronze, silver plated
 Terminals: brass, silver plated
 Cover: stainless steel
 Base: high-temp. thermoplastic PA meets UL94V-0, washable
 Stem: silicone rubber

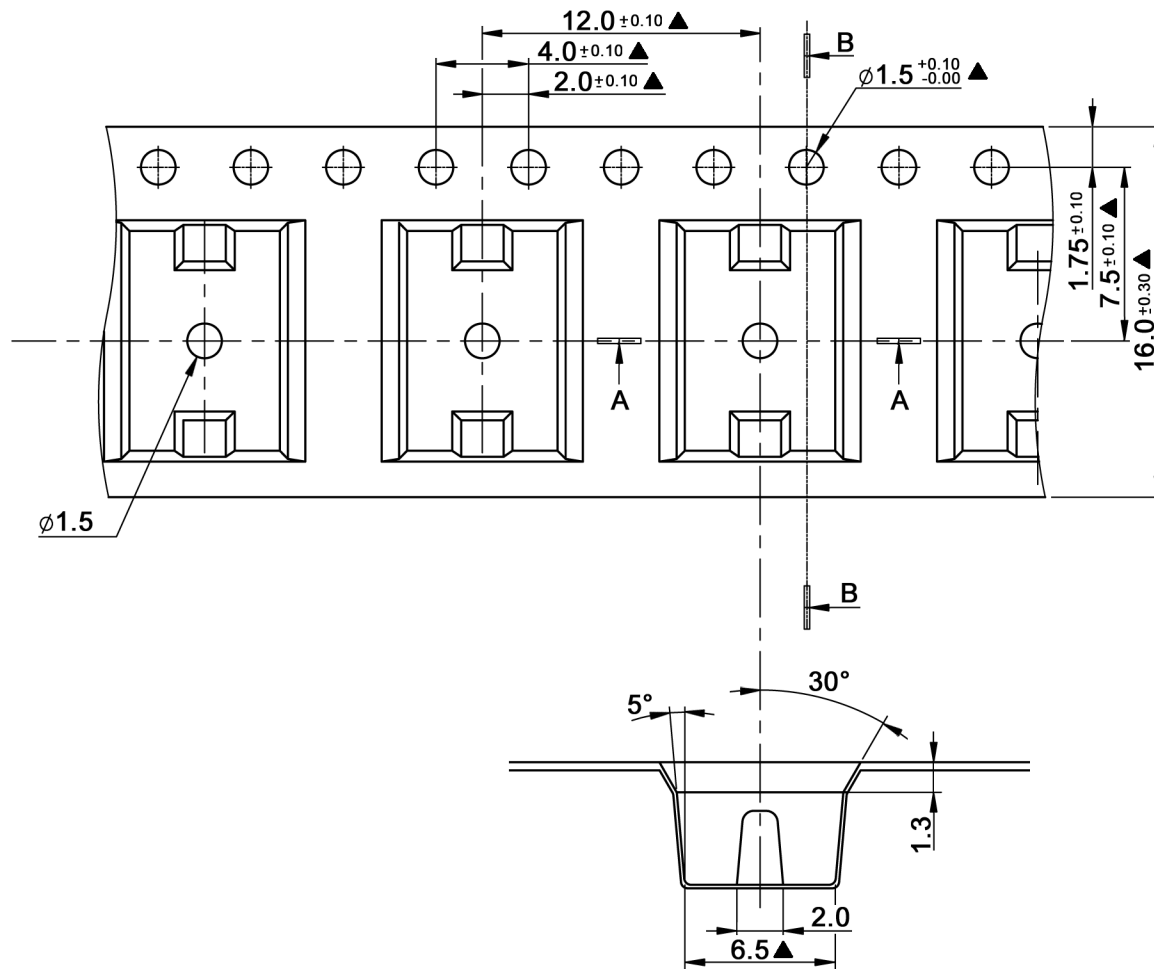
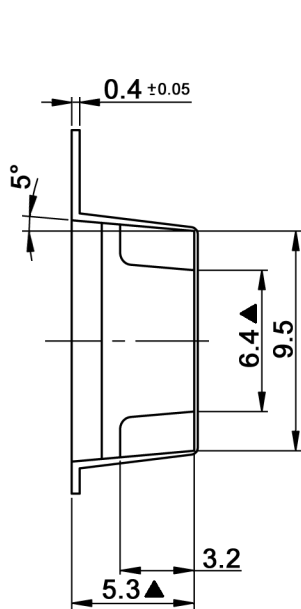
Soldering conditions:



x	operating force	operation life	travel	stem color
N	180 +/- 50 gf	500 000 cycles	0.45 ±0.2 mm	brown
R	260 +/- 70 gf	500 000 cycles	0.45 ±0.2 mm	red
T	360 +/- 90 gf	500 000 cycles	0.6 ±0.2 mm	transparent
Y	520 +/- 90 gf	500 000 cycles	0.45 ±0.2 mm	yellow

Compliance: RohS II (2011/65/EU)

Tolerances: max. ±0.20mm			Date	Name	TSSE 67 x
			1999	mm	
			knitter-switch		30 01 41
Modifications			Date	Name	Page 2/3



Compliance: RohS II (2011/65/EU)

Tolerances: ±0.20mm			Date	Name	TSSE 67 x
			07/14	dr	
			knitter-switch		30 01 41
Modifications			Date	Name	Page
					3/3